

## AGGIE SQUARE

📍 Sacramento, CA

### CHALLENGE

Integrate a large innovation district into its surroundings while connecting campus, community, and local history.

### RESULTS

Brick provides durability, visual depth, and continuity across the Aggie Square district.

### BRICK SIZES

Modular Face Brick,  
Modular Thin Brick,  
V-Brick custom shape

### BRICK COLOR

Monterey Bay Flashed Smooth

### ARCHITECT

ZGF Architects

### GENERAL CONTRACTOR

The Whiting-Turner Contracting Company

### MASON

John Jackson Masonry

### DISTRIBUTOR

The Brickyard

©2026 H.C. Muddox Brick.

# Brick Connecting Campus, Community, and History

**A**ggie Square is a walkable innovation district on the UC Davis Health Campus that integrates research, industry, education, housing, and public space into a cohesive urban environment.

The design emphasizes connectivity and civic presence, drawing on Sacramento's red brick heritage, tree-lined streets, and locally crafted materials to create a strong sense of place.

### CHALLENGE

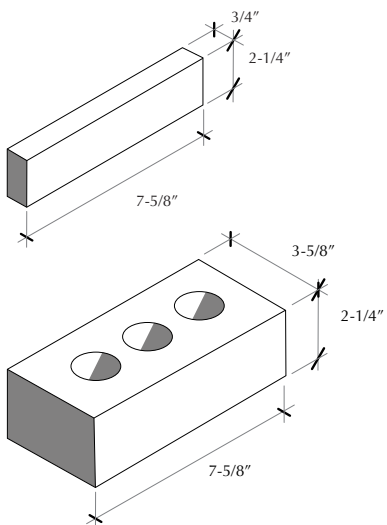
Aggie Square presented a dual architectural challenge. The project required designing a large, highly complex research and innovation district while reinforcing a street oriented urban environment that reconnects the district to the UC Davis Health Center and main campus. The space needed to be active, walkable, and integrated into the surrounding neighborhood. At the same time, the architects sought to push material expression beyond convention. The goal was to reference local history through a brick form that

# CUSTOM BRICK

Creates dimension and texture at the street level.



Aggie Square earned Best in Brick and Merit in Sustainability honors from the CMC Awards.



## Modular Thin Brick

Thin, lightweight profile for flexible design and efficient installation.

VIEW SPECS

## Modular Face Brick

Classic proportions with cored construction.

VIEW SPECS



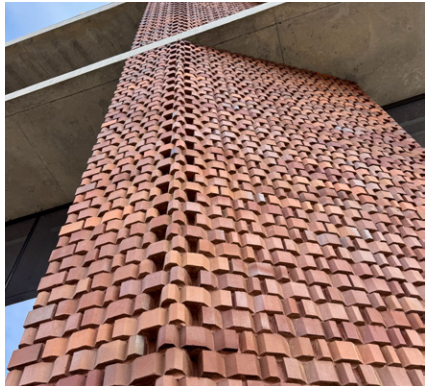
Smooth bricks integrated into the custom pattern spell Fiat Lux (Let There Be Light), the University of California motto.

had never been used before while embedding meaning directly into the architecture. The challenge was translating a custom brick geometry into a buildable, repeatable solution at the scale of multi-story research buildings without compromising constructability, performance, or schedule.

**SOLUTION**

ZGF Architects established a clear material strategy by using brick at the first two floors to anchor the buildings to the pedestrian realm and create a visual and tactile connection to Sacramento's history. This approach references the former Sacramento Fairgrounds that once occupied the site, where buildings constructed of H.C. Muddox brick still remain.

Working closely with H.C. Muddox, the team developed a custom extruded brick profile using a project specific mold and cap. This collaboration allowed the architects' original geometry to be manufactured at scale and refined through testing and mock ups.



Within the custom brick pattern, smooth bricks were intentionally used to spell out "Fiat Lux" (Let there be light), the University of California motto. Rising two stories high along the building facade, the phrase serves as both a graphic and material expression of the university's mission, symbolizing knowledge, discovery, and illumination.

Light-filled ground floors open in all directions, forming a porous public realm anchored by warm woods, exposed structural concrete, and brick. Muddox thin brick is carried into the interior, reinforcing material continuity between



exterior and interior spaces and supporting a cohesive experience at the street level.

The resulting brick expression supports a layered architectural reading that transitions from landscape and streetscape to the larger research buildings above while reinforcing material continuity across the district.

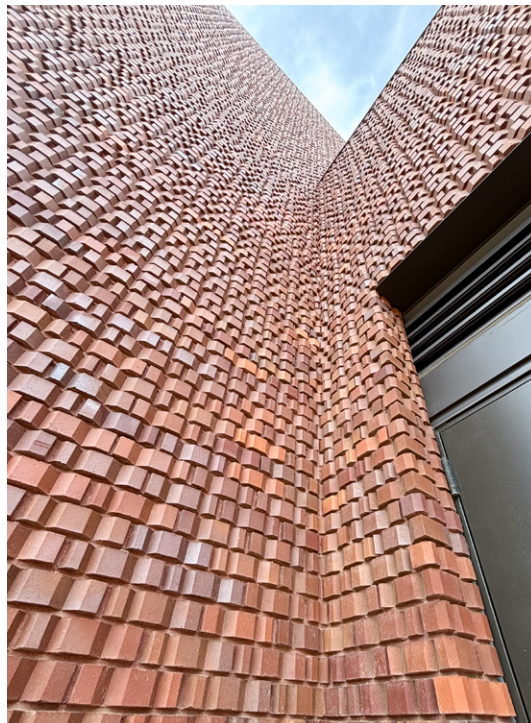


Brick provides durability, visual depth, and continuity across the Aggie Square district.

#### RESULTS

Aggie Square shows how early collaboration and thoughtfully detailed masonry can unify a large, complex institutional project while reinforcing local identity. The brick base provides durability, visual depth, and continuity across buildings and public spaces.

The project was recognized for design excellence with **Best in Brick** and **Merit in Sustainability** honors from the [California Masonry Council](#), along with a **Bronze Award** in the 2025 [BIA's Brick in Architecture Awards](#).



Have questions? [Talk to one of our consultants](#), visit [hcmuddox.com](http://hcmuddox.com) or call [1-800-776-1244](tel:1-800-776-1244).