

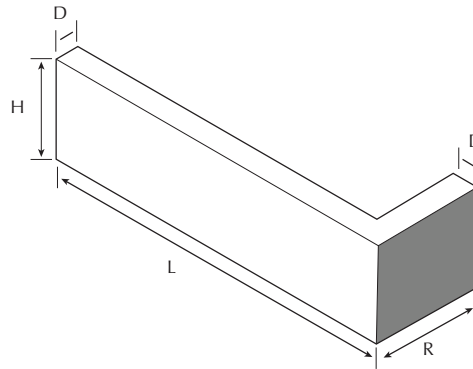
Thin Brick Flats - Dimensions, Weights and Coverage

Description	Depth (D)		Height (H)		Length (L)		Weights		Units/Ft2		Packaging	
	in	mm	in	mm	in	mm	lbs.	kg.	Units/ft2	Units/ft2	Type	QTY
King	Note 1	Note 1	2 5/8	67	9 5/8	244	1.0	0.5	4.80	51.7	Box	45
2 1/4" Modular	Note 1	Note 1	2 1/4	57	7 5/8	194	0.7	0.3	6.86	73.8	Box	50
2 3/4" Modular	Note 1	Note 1	2 3/4	70	7 5/8	194	0.8	0.4	5.60	60.3	Box	35
4" Modular	Note 1	Note 1	3 9/16	90	7 5/8	194	1.0	0.5	4.50	48.4	Box	38
2 1/4" Norman	Note 1	Note 1	2 1/4	57	11 5/8	295	1.2	0.5	4.47	48.1	Box	25
4" Norman	Note 1	Note 1	3 9/16	90	11 5/8	295	1.9	0.9	3.00	32.3	Box	25
2 1/4" Emperor®	Note 1	Note 1	2 1/4	57	15 5/8	397	1.6	0.7	2.76	29.7	Box	30
4" Emperor®	Note 1	Note 1	3 9/16	90	15 5/8	397	2.5	1.1	2.25	24.2	Box	19

The Above Brick Manufactured by Interstate Brick comply with the following Specifications:

**ASTM C1088: Grade Exterior; Type TBA, TBS or TBX as specified in Purchase Order;
PCI Compliant on some thin brick products - inquire**

Note 1: Product thickness is dependent on the manufacturing process used to produce the thin brick; face cut, split-tile, break-a-way, clusters, and ribbons have different thicknesses. Set thicknesses are 5/8"



Thin Brick Corners - Dimensions, Weights and Coverage

Description	Depth (D)		Height (H)		Length (L)		Return (R)		Weights		Units/Ft2		Packaging	
	in	mm	in	mm	in	mm	in	mm	lbs.	kg.	Units/ft2	Units/ft2	Type	QTY
King	Note 1	Note 1	2 5/8	67	9 5/8	244	3	76	1.0	0.5	4.80	51.7	Pallet	500
2 1/4" Modular	Note 1	Note 1	2 1/4	57	7 5/8	194	3 5/8	92	0.7	0.3	6.86	73.8	Pallet	500
2 3/4" Modular	Note 1	Note 1	2 3/4	70	7 5/8	194	3 5/8	92	0.8	0.4	5.60	60.3	Pallet	500
4" Modular	Note 1	Note 1	3 9/16	90	7 5/8	194	3 5/8	92	1.0	0.5	4.50	48.4	Pallet	500
2 1/4" Norman	Note 1	Note 1	2 1/4	57	11 5/8	295	3 5/8	92	1.2	0.5	4.47	48.1	Pallet	400
4" Norman	Note 1	Note 1	3 9/16	90	11 5/8	295	3 5/8	92	1.9	0.9	3.00	32.3	Pallet	400
2 1/4" Emperor®	Note 1	Note 1	2 1/4	57	15 5/8	397	3 5/8	92	1.6	0.7	2.76	29.7	Pallet	400
4" Emperor®	Note 1	Note 1	3 9/16	90	15 5/8	397	3 5/8	92	2.5	1.1	2.25	24.2	Pallet	400

The Above Brick Manufactured by Interstate Brick comply with the following Specifications:

ASTM C1088: Grade Exterior; Type TBA, TBS or TBX as specified in Purchase Order;
PCI Compliant on some thin brick products - inquire

Note 1: Product thickness is dependent on the manufacturing process used to produce the thin brick; face cut, split-tile, break-a-way, clusters, and ribbons have different thicknesses. Set thicknesses are 5/8", 7/8" and 1" [nominal] (16mm, 22mm, and 25mm [nominal]) - inquire